

## DH-IPC-HFW4431B-AS

---

### 4MP HD WDR Network LXIR Bullet Camera



### Features

- 1/3" 4Megapixel progressive scan CMOS
- Support H.264&H.265 dual codec
- Max 30fps@4M(2688×1520) & 25/30fps@3M(2304×1296)
- Smart Detection supported
- WDR(120dB), Day/Night(ICR), 3DNR, AWB, AGC, BLC
- Multiple network monitoring: Web viewer, CMS(DSS/PSS) & DMSS
- 3.6mm fixed lens (6mm optional)
- 1/1 Alarm in/out, 1/1 audio in/out
- Max. IR LEDs Length 50m
- Micro SD memory, IP67, PoE

# DH-IPC-HFW4431B-AS

## Technical Specifications

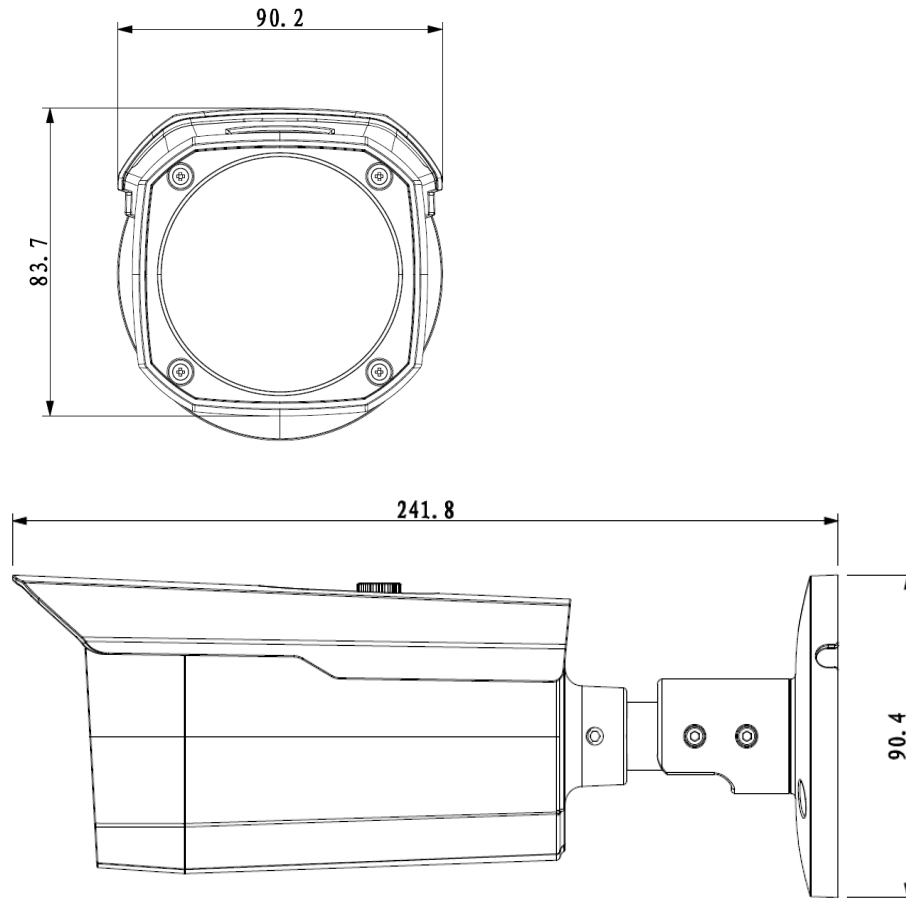
<b>Model</b>		<b>DH-IPC-HFW4431B-AS</b>
<b>Camera</b>		
Image Sensor	1/3" 4Megapixel progressive scan CMOS	
Effective Pixels	2688(H)x1520(V)	
Scanning System	Progressive	
Electronic Shutter Speed	Auto/Manual, 1/3(4)~1/100000s	
Min. Illumination	0.08Lux/F2.0(Color), 0Lux/F2.0(IR on)	
S/N Ratio	More than 50dB	
Video Output	N/A	
<b>Camera Features</b>		
Max. IR LEDs Length	50m	
Day/Night	Auto(ICR)/Color/B/W	
Backlight Compensation	BLC / HLC / WDR(120dB)	
White Balance	Auto/Sunny/Night/Outdoor/Customized	
Gain Control	Auto/Manual	
Noise Reduction	3D	
Privacy Masking	Up to 4 areas	
<b>Lens</b>		
Focal Length	3.6mm (6mm optional)	
Max Aperture	F2.0(F1.9)	
Focus Control	Manual	
Angle of View	H:83°(55°)	
Lens Type	Fixed lens	
Mount Type	Board-in Type	
<b>Video</b>		
Compression	H.264 /H.265	
Resolution	4M(2688×1520)/4M(2560×1440)/3M(2048×1536)/1080P(1920×1080)/720P(1280×720)/D1(704×576/704×480)/CIF(352×288/352×240)	
Frame Rate	Main Stream	4M(1~30fps)/3M(1~25/30fps)
	Sub Stream	D1/CIF(1~30fps)
	Third Stream	720P(1-25fps)
Bit Rate	H.264: 24Kbps~10Mbps H.265:14K ~ 6Mbps	
Corridor Mode	Support	
<b>Audio</b>		
Compression	G.711a/ G.711u/ AAC	
Interface	1/1 channel In/Out	
<b>Smart Function(Optional)</b>		
Smart detection	Tripwire	
	Intrusion	
	Abandoned/Missing	

## DH-IPC-HFW4431B-AS






	Scene Change
	Audio detect
	Face detect
<b>Network</b>	
Ethernet	RJ-45 (10/100Base-T)
Wi-Fi	N/A
Protocol	IPv4/IPv6, HTTP, HTTPS, SSL, TCP/IP, UDP, UPnP, ICMP, IGMP, SNMP, RTSP, RTP, SMTP, NTP, DHCP, DNS, PPPOE, DDNS, FTP, IP Filter, QoS, Bonjour, 802.1x
Compatibility	ONVIF, PSIA, CGI
Max. User Access	20 users
Smart Phone	iPhone, iPad, Android, Windows Phone
<b>Auxiliary Interface</b>	
Memory Slot	Micro SD Max 128GB
RS485	N/A
Alarm	1/1 channel In/Out
PIR Sensor Range	N/A
<b>General</b>	
Power Supply	DC12V, PoE (802.3af)
Power Consumption	Max 5.1W
Working Environment	-30°C~+60°C, Less than 95% RH
Ingress Protection	IP67
Vandal Resistance	N/A
Dimensions	Φ 90.4mm×241.8mm
Weight	0.61Kg(with package 0.80kg)

# DH-IPC-HFW4431B-AS

## Dimensions (mm)



## Accessory(optional)

PFA135	PFA122	PFA150	PFA151	PFA152
				

### Dahua Technology Co., Ltd.

1199 BinAn Road, Binjiang District, Hangzhou, China

Tel: +86-571-87688883

Fax: +86-571-87688815

## DH-IPC-HFW4431B-AS

---

Email: [overseas@dahuatech.com](mailto:overseas@dahuatech.com)

[www.dahuatech.com](http://www.dahuatech.com)

\*Design and specifications are subject to change without notice.

© 2014 Dahua Technology Co., Ltd.